

# Bodor Rocut SERIES

Automatic Coil Laser Cutting Machine



# All-in-One Coil Cutting Solution



# Lightning Speed Precise and Efficient

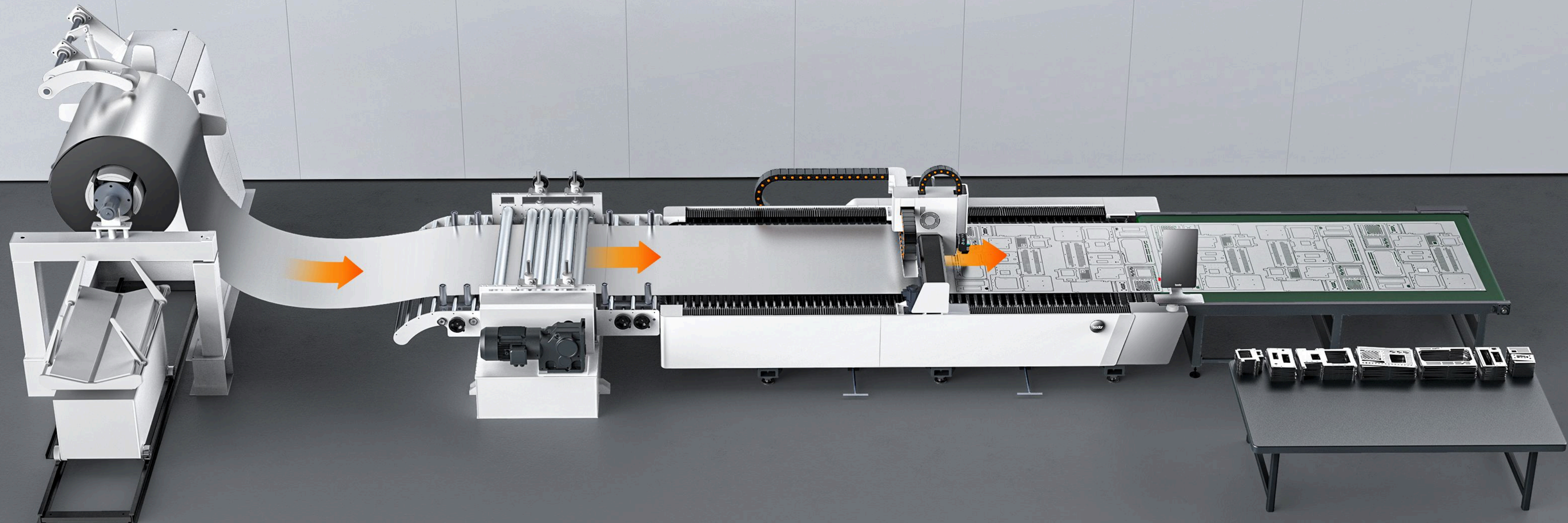
Outstanding dynamic performance boosts overall processing efficiency by **50%**.

The optional Lightning Cutting Module\* further increases cutting speed by **86%**.

\*Note: Based on Bodor Laboratory data with optional Lightning Cutting Module.

# Cyclic Processing Continuous Operation

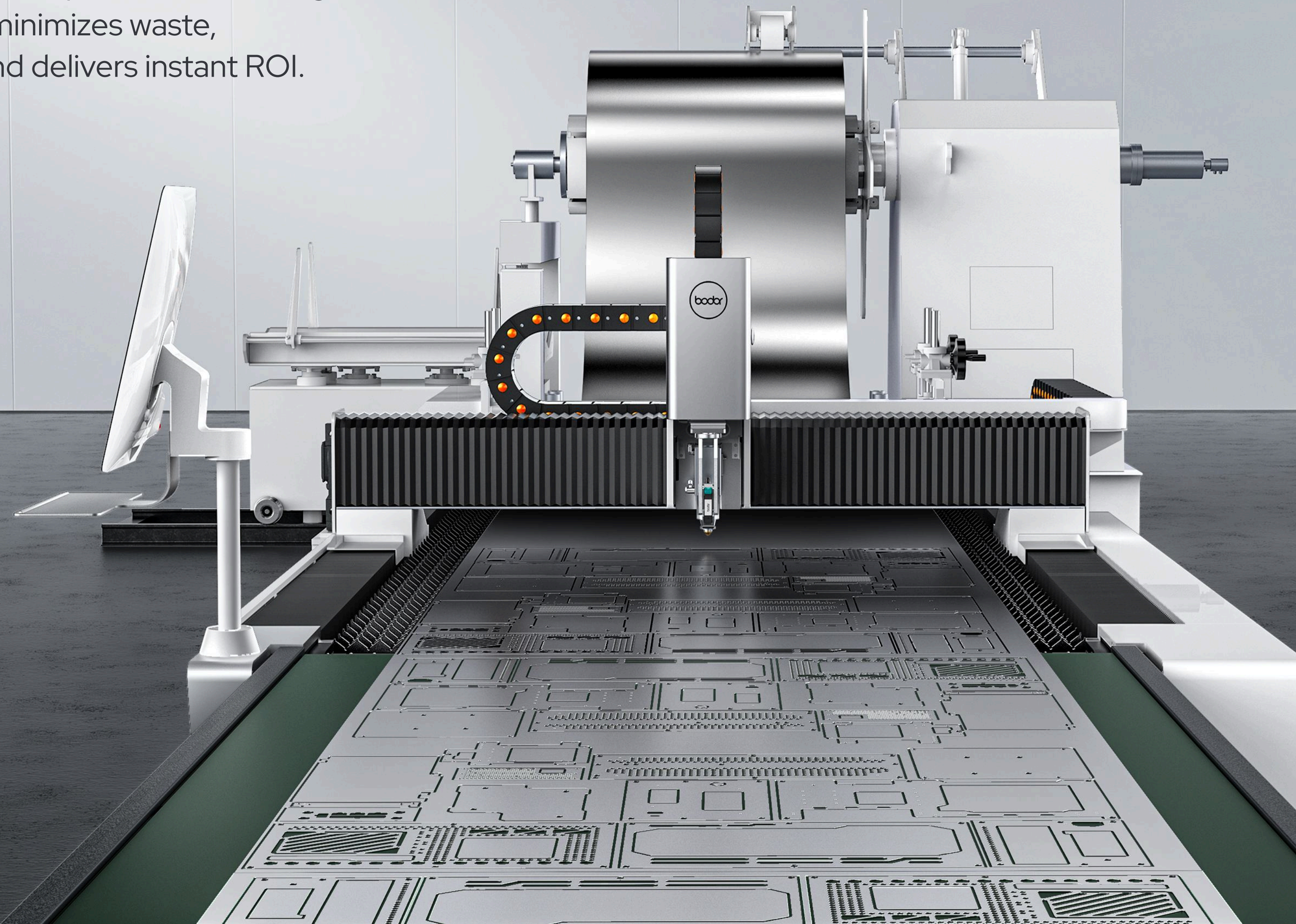
No manual intervention is required, saving manual operation time.  
Standard parameters, one-click start, simple and easy to use.



# Cost Saving High Return

bodor

Save nearly CNY 10,000/month on leveling\*.  
Intelligent nesting minimizes waste,  
eliminates molds and delivers instant ROI.



\*Note: Assuming a leveling cost of 60 CNY per ton  
and processing 5 tons per day.

Optional

# Code Marking Streamlined Production

The optional marking device for one-click printing of labels and characters facilitates material sorting and unloading, and is ideal for batch processing in doors, sheet metal, and cabinets.

Optional

# Hydraulic Decoiling

## Simple Loading

The optional hydraulic decoiler allows a single operator to load coils flexibly with a crane or forklift.

Compared to traditional racks, loading efficiency improves by **50%**.

Optional  
**Stable Dual Drive**  
**Boosted Efficiency**

Rocut6 offers an optional dual-crossbeam configuration. Under intelligent system control, both crossbeams can cut simultaneously, enabling flexible and efficient asynchronous processing.

With active obstacle avoidance and collision prevention, it ensures safety and peace

of mind while shortening the delivery cycle by **50%**.

# Ask Anything Get Every Answer

From product know-how and operation tips to feature guides, service support, and after-sales care—we've got you covered. Whatever you need to know, we have the answers.



# 5-year Warranty for Bodor **Self-developed** Three Core Laser Components

With our perfect integration technology for the self-developed BodorThinker control system, BodorPower laser source, and BodorGenius laser head, we can extend the service warranty for these three core components to five years! The three core components are designed, produced, tested, and delivered in an integrated manner, working perfectly together to make the equipment run more stably and efficiently. At the same time, it greatly reduces the risk of component contamination and failure rate, extends the lifespan, and lowers maintenance costs by avoiding repeated assembly.





Professional Model | Automatic Coil Laser Cutting Machine

## Applicable Industries

Widely applied in chassis cabinets, ventilation ducts, door and window manufacturing, decorative buildings, kitchen and bathroom manufacturing, mechanical processing and other industries.



PARAMETERS	Rocut3	Rocut4	Rocut6	Rocut3 Pro
Working area	3048mm*1524mm	4000mm*1524mm	6000mm*1524mm	3048mm*1524mm
Max. linkage speed	90m/min	100m/min	100m/min	90m/min
Max. acceleration	1G	1.2G	1.2G	1G
Z axis travel	100mm	102mm	100mm	100mm
Auto-focus of laser head	●	●	●	●
Active anti-collision function	●	●	●	●
Intelligent anti-shake	●	●	●	●
uncoiler	○	○	○	○
Synchronized feeding table	●	●	●	●

\* For detailed product specifications, please contact the Bodor Laser sales team.

bodor

Dare to dream